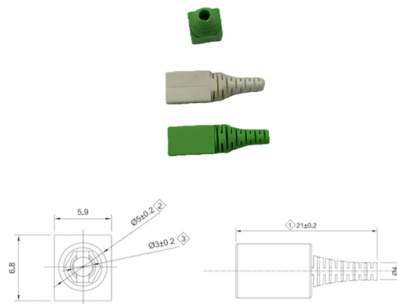


## Opttx optical module



### Overview

Optical transmitter that can distribute up to 4 satellites on a single fiber using CWDM (Coarse Wavelength Division Multiplexing) technology. Output power 7 dBm SAT + TV + FM. An optical module is a typically hot-pluggable optical transceiver used in high-bandwidth data communications applications. Whether you are creating a 100-Gbps or 400-Gbps, small form-factor pluggable (SFP) module, SFP+ transceiver, XFP module, CFP, X2/XENPAK module. A minimum of 40 subjects who have at least one well defined CNV-FV will be randomized into 1 of 2 treatment arms. 20 subjects will receive only intravitreal anti-VEGF injections on a routine, standard of care basis. The other 20 subjects will receive Choroidal Vessel Closure (CVC) using the. As an essential component of optical fiber communication, optical modules are optoelectronic devices that facilitate the conversion between optical and electrical signals during the transmission process. Thin-film filter and PLC based AWG for multiplexing, a full suite of components for optical amplification use, optomechanical or MEMS-based switches for protection or surveillance application, Tap PD for power monitoring and VOA for.



## Article Content

### Optical Transceivers Catalog (A4)

The LLF and SLF cards incorporate optical modules with preprogrammed parameters for configuration—only power and high-speed signalling is required. An I2C serial interface is provided to

### Optical Modules

Optical modules are optical transceivers used for high-speed data transmission, and are used anywhere larger amounts of data needs to be sent and received. From

### Cisco Optics | Transform Your Network

Get the highest quality, performance-leading optical transceivers for any network architecture. Find the transceiver model to fit your network.

### Optical Transceivers: Technical and IP Perspectives

In optical communication, the presence of optical transceiver is more common. Learn how an optical transceiver module can communicate data.

### Optical module design resources | TI

View the TI Optical module block diagram, product recommendations, reference designs and start designing.

### OptiX OSN 9800 M Series Datasheet

OptiX OSN 9800 M Series The OptiX OSN 9800 M series are Huawei's next-generation flagship WDM products. They are designed for Optical Networking 2.0 (ON2.0) and feature ultra-large capacity,

### Optical Solutions

Optical Flex Circuits FlexPlane Optical Flex Circuits provide versatile, high-density routing on a flexible substrate, and Routed Ribbon Solutions offer cable

### A Randomized Registry Trial Utilizing the OPTTX® System for the ...

The primary objective of this trial is to describe the effects of the OPTTX® System in a combination therapy regime in an AMD subject population, to the intent to delay and reduce the number of

### Huawei OptiX OSN 8800 and Boards Datasheet

Overview Huawei OptiX OSN 8800 Intelligent Optical Transport Platform (OptiX OSN 8800 for short) is a new generation of intelligent MS-OTN product. It is a future-proof product launched to address the IP

### INFO-RM007B

Diagnostic Icons Diagnostic icons may be displayed on the graphic buttons for compatible modules. Safety modules are designated with a small guard icon.

OPTIX Introduces AR and VR Advances at CES 2025

OPTIX Reveals AR and VR Developments at CES 2025 The Beijing-based optical equipment firm OPTIX debuted its newest AR waveguide module at CES 2025, along with a

NVIDIA OptiX 8.1

The NVIDIA OptiX API is an application framework for achieving optimal ray tracing performance on the GPU. It provides a simple, recursive, and flexible pipeline for accelerating ray

Understanding Optical Modules: Working Principles,

Explore the working principles, structures, and performance metrics of optical modules, essential components of optical fiber communication systems. Learn

OSN 1800 Boards Overview and Order Guide 1

Based on the port types, Y-Cable modules are classified into single-mode and multi-mode modules. Pluggable Optical Modules Pluggable Electrical Modules This section describes the pluggable

What Is an Optical Transceiver? Complete Guide to

Discover what optical transceivers are and how they work in fiber optic communication. This complete guide covers their internal structure, working

OPTIX Launches "EPIC 50" AR Waveguide and Foveated Rendering

These developments demonstrate OPTIX's commitment to advancing optical technologies and enhancing user experiences. The EPIC 50 AR waveguide module, designed to

NVIDIA OptiX 9.0

Preface DirectX Raytracing (DXR), Vulkan (through the VK\_NV\_ray\_tracing extension) and the NVIDIA OptiX™ API employ a similar programming model to support ray tracing capabilities. DXR and

FRACARRO OPT-TX RP Fibre Transmitter KIT

This latest addition to the Fracarro fibre optic range; the new "remote powered" optical transmitter, adds and enhances the abilities of an already highly respected

Optical Access

Based on PON technology, passive all-optical network access solutions enable access by any media, tailored to enterprises, ISPs, and MSOs.

Optical Transceivers | Springer Nature Link

Since the development of the first semiconductor laser in the 1960s, much R& D effort has been concentrated on designing and developing optical transceivers (TRxs) for reliable

OPTIX Expands Global Reach with AR/VR Optical

Forward Momentum and Long-Term Vision Looking ahead, OPTIX has signaled that it is not just iterating on existing modules but also actively

FLEXOPTIX Homepage

Universal Transceivers that work with nearly every device. SFP+, QSFP+, SFP28, QSFP28, QSFP-DD, OSFP, AOC, DAC, Optical Patch Cables Fast delivery

Optical products for FTTX

An ONT converts the optical signals received from the fiber into electrical signals that can be used by computers, telephones, and televisions. Most ONTs include

Optical module

OverviewElectrical Interface TypesOptical modulation and multiplexing typesIn-module componentsElectrical cable equivalentFront panel optical module MSAsOn-Board Optical module MSAsUsers of Optical Modules

An optical module is a typically hot-pluggable optical transceiver used in high-bandwidth data communications applications. Optical modules typically have an electrical interface on the side that connects to the inside of the system and an optical interface on the side that connects to the outside world through a fiber optic cable. The form factor and electrical interface are often specified by an interested group using a multi-source agreement (MSA). Optical modules can either plug into a front pa

CES 25: Optix's incredible definition, Brelyon multifocal

Dive into my experience with Optix at CES, showcasing its unique optical systems designed for enhanced XR displays. Read also about Brelyon!

FactoryTalk Optix | FactoryTalk | US

Welcome to FactoryTalk Optix, our new platform that enhances your HMI and data visualization experience and also augments your capabilities in Industrial Internet

## Contact Us

For more information, pricing, or custom solutions, please contact us:

Website: <https://sailingpoland.eu>

Email: [info@sailingpoland.eu](mailto:info@sailingpoland.eu)

Phone: +48 537 281 940

Address: ul. Puławska 12, 02-566 Warsaw, Poland

This document is for informational purposes only. Specifications subject to change without notice.

