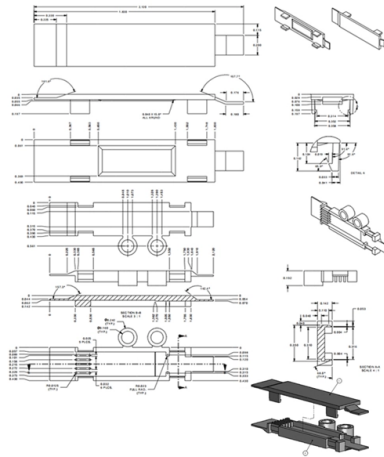


## How to measure the diameter of cables in a distribution box



### Overview

To measure a cable's diameter, follow these steps. Cable diameter refers to the overall outer measurement of a conductor or finished cable, while cross-sectional area (typically in mm<sup>2</sup> or circular mils) defines the conductive portion responsible for current flow. These two metrics connect through basic geometry but differ significantly in. Cable diameter measurement means checking how thick a cable is from one side to the other. It is measured across the round shape of the cable. A small mistake in measurement can lead to sealing failure, loose connections, or even hazardous installations. In this guide, ExGrip explains how to measure cable OD properly and. Depending on the size (diameter) of the wire, cable or tube to be measured, and the type of measurement (diameter alone and/or geometrical defects), CERSA offers several specific devices : The LDS range is specifically designed for the measurement of fine and very fine wires (5 to 2000 μm) obtained. Millimeters (mm): Used to measure the diameter of the cable's outer sheath.  $2 \times \sqrt{(N \times d_{\text{conductor}}^2)}$  For multiple N.



## Article Content

Bundle Diameter Calculator - Wire Bundle Diameter

Accurately calculate the diameter of cable or wire bundles with our Bundle Diameter Calculator. Perfect for wiring harnesses, heat exchangers, and

Cable Outer Diameter (OD): How to Measure It for Labeling

Cable outer diameter (OD) explained: how to measure it accurately, and how to match cable sizes to heat shrink, wrap-around, and tie-on labels.

Size determination, installation method and wiring mode

The distribution box is the central hub of the home circuit and the general control of our daily power consumption. It is an indispensable electrical equipment. If there

[coinkit/coinkit/words.py at master · mflaxman/coinkit · GitHub](#)

Cryptocurrency wallet interfaces for Bitcoin, Litecoin, Namecoin, Peercoin, and Primecoin. - [mflaxman/coinkit](#)

BioPreferred

I buy for the federal government Federal law, the Federal Acquisition Regulation, and Presidential Executive Orders direct federal agencies and their contractors to

How to Measure Electrical Cable UK: A Comprehensive

Proper measurement guarantees that the cable can handle the intended current load, preventing overheating and potential electrical hazards.

How to Measure Cable OD for Correct Cable Gland Size

Learn how to measure cable outer diameter (OD) correctly and select the right cable gland size using charts, tables, and expert guidelines.

Cable Diameter Measurement: What It Means and How to Do It ...

To measure a cable's diameter, follow these steps. First, choose the right tool for the type of cable. Then, place the cable in the tool gently. Close the tool around the cable without

The installation requirements for the distribution box

Learn how to install a distribution box safely and correctly. Covers wiring, placement, standards, and expert tips for a compliant setup.

WORLD WIDE WEB JOURNAL Home

will open to start the export process. The process may take but once it finishes a file will be downloadable from your browser. You may continue to browse the DL while the export process is in

### Cable Calculator

Eland Cables' Cable Size Calculator can help you determine the most appropriate cable size for your installation against British and IEC standards. Complete the sections below to calculate your results.

### How to Calculate Cable Diameter: Formula for Stranded & Solid Wire ...

Calculate cable diameter for stranded and solid wire using simple formulas. Step-by-step examples and a reference table for Australian installers.

### How to Find the Right Size of Wire and Cable in NEC

How to Determine the Suitable Size of Wire and Cable or Electrical Wiring Installation? Examples in Imperial and Metric Systems Based on NEC, IEC and

### Cable Diameter Calculation Guide: Formulas, Charts & Tables

Effective cable diameter calculation combines geometric formulas, material properties of Copper & Aluminum, and application-specific factors for coaxial cable diameter, cat 6 cable diameter,

### Understanding Cable Outer Diameter and Its Importance

Learn why cable outer diameter is essential, how it's measured, and what to consider when choosing cables for performance and installation.

### Cable Diameter Calculation Formula & Excel Calculator

Excel format of cable diameter calculator helps you to find the diameter of the multiple core cable. It will fast your work. Download the Ex cel.

### ITPro Today, Network Computing, IoT World Today combine with

ITPro Today, Network Computing and IoT World Today have combined with TechTarget . The page you are looking for may no longer exist.

### Cable Diameter Measurement: What It Means and How to Do It ...

A micrometer is used for very thin cables or wires. It is more accurate than a caliper. You turn a small screw to close it around the cable and then read the measurement from its scale. Steps

### IEEE 525-2007\_accepted

Minimum bending radius in fiber-optic cable is typically in the range of 20 times the cable diameter. This bending radius should be considered by the engineer when specifying conduit bends and pull box

In-line measurement of wire and cable diameter

For larger diameters of wires, cables and tubes (0.3 mm to 5 mm), especially for the extrusion process, it is important to continuously measure the diameter but also

Conduit Fill Calculator: Figure Sizing and Fill

To find out how many cables you can run in a given conduit size, enter your Belden cable part number, or enter the diameter of your cable. Next, select the type of conduit you are specifying. Then, under

How to size a Cable Correctly Step-By-Step

How to size a cable, Conductor sizing per the National Electrical Code Experts in the USA We wrote this article because every single

How To Determine The Diameter You Need...

Simply bundle the cords that you'll be inserting into the loom and measure the diameter of the bundle. Then, select a conduit option with an inside diameter that is approximately equal to or greater than

## Contact Us

For more information, pricing, or custom solutions, please contact us:

Website: <https://sailingpoland.eu>

Email: [info@sailingpoland.eu](mailto:info@sailingpoland.eu)

Phone: +48 537 281 940

Address: ul. Puławska 12, 02-566 Warsaw, Poland

This document is for informational purposes only. Specifications subject to change without notice.

